



**Electrolux**  
PROFESSIONAL

## Standard Preparation 1400 mm Sink with 1 Bowl - Left Drain

ITEM # \_\_\_\_\_

MODEL # \_\_\_\_\_

NAME # \_\_\_\_\_

SIS # \_\_\_\_\_

AIA # \_\_\_\_\_



132807 (LG1416SXP)

Sink Unit with 1 bowl  
600x500mm and left hand  
drainer, 1400mm

### Short Form Specification

Item No. \_\_\_\_\_

Made from 304 AISI stainless steel. The 50mm high worktop in 304 AISI stainless steel, 1mm in thickness, is sound-deadened and has an overflow rim and welded corners. Integral rear upstand, h=100mm, with 8mm radius. All-round apron. Square section legs 40x40mm on 1" height-adjustable feet (+/-20mm)

Bowl mm600x500x300h with overflow pipe and 2" drain hole; left hand drainer.

### Construction

- 50 mm worktop in 304 AISI stainless steel, 10/10 in thickness with overflow rim along the top.
- Square section legs and 40 mm height-adjustable feet in 304 AISI stainless steel.
- Sink tops easily slotted onto the legs and taps are easily installed from the rear.
- Delivered in knock-down package.
- Wide range of taps are available to suit every need.
- Drainage area suitable for drying operations
- 100 mm upstand with 10 mm radiused corner and 13 mm deep, designed to be used against a wall.

### Optional Accessories

- Lower shelf for 1400mm tables and sinks PNC 855146
- Set of 4 wheels (2 with brake) d. 100mm for tables and sinks (total height on wheels= 993 mm) PNC 855150
- 3-sided underframe for 1400mm tables PNC 855153
- Elbow operated mixer tap with spout 3/4", single hole PNC 855322
- Elbow operated mixer tap with short spout 3/4", single hole PNC 855323
- Foot operated mixer tap (hot and cold) with spout 3/4" PNC 855328
- Single plastic drain syphon 2" for Sinks PNC 895313

APPROVAL: \_\_\_\_\_

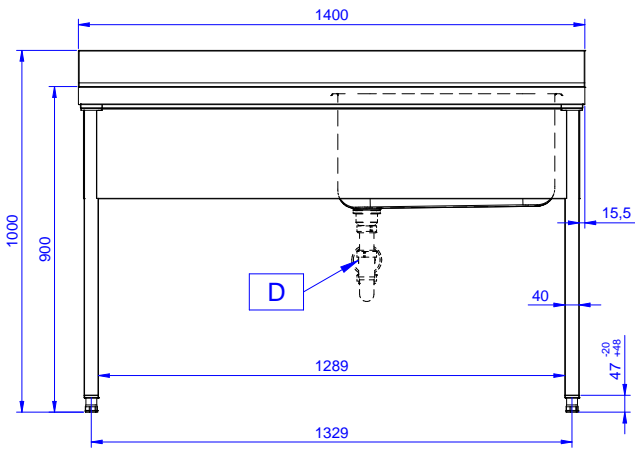


Experience the Excellence  
[www.electroluxprofessional.com](http://www.electroluxprofessional.com)

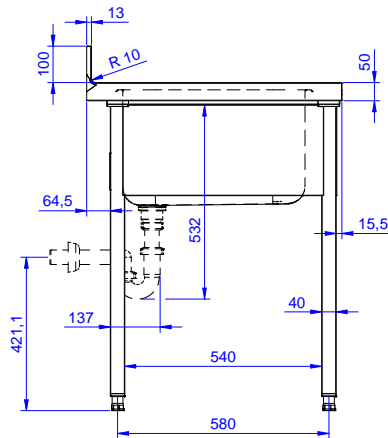
## Key Information:

|                                     |              |
|-------------------------------------|--------------|
| <b>External dimensions, Width:</b>  |              |
| <b>132807 (LG1416SXP)</b>           | 1400 mm      |
| <b>External dimensions, Depth:</b>  | 700 mm       |
| <b>External dimensions, Height:</b> | 1000 mm      |
| <b>Upstand Dimensions, Height:</b>  | 100 mm       |
| <b>Upstand Dimensions, Depth:</b>   | 13 mm        |
| <b>Upstand Dimensions, Radius:</b>  | R=10         |
| <b>Bowls number</b>                 | 1            |
| <b>Bowl dimensions</b>              | 600x500xH320 |
| <b>Worktop thickness:</b>           | 50 mm        |
| <b>Net weight:</b>                  | 46 kg        |

Front



Side



D = Drain

Top

